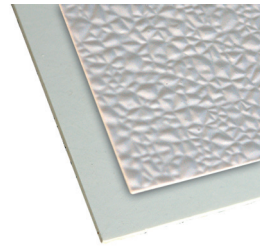


## B-HYGIENIC FRP POLYESTER SHEET



### CHARACTERISTICS



- Food safe (HACCP, EU, BRC, FDA, USDA, ...)
- Economical (less cleaning product is needed)
- Chemically resistant (e.g. blood, acids, brine, milk, ...)
- Water- and dirt resistant and anti-fungal
- High impact- and scratch proof
- Easily and simply cleanable
- Quick and easy to install (modular system)
- Suitable for heated and cooled spaces.
- Fire retardant (optional, standard Euroclass E)
- Anti-graffiti (ideal for public spaces)
- Doesn't discolour and doesn't take in smells
- Non corrosive
- If necessary, easy repairable
- Available in all RAL colours (standard RAL 9010 = hygienic white)

IDEAL FOR BOTH NEW ESTATE AND RENOVATION!

### PRODUCT DESCRIPTION

The B-Hygienic FRP sheet is a laminated glass fiber reinforced polyester sheet, opaque, available with a smooth or embossed surface. The B-Hygienic FRP sheet is the basis for the products Insupanel, Renopanel, HygiCeil and HygiWall.

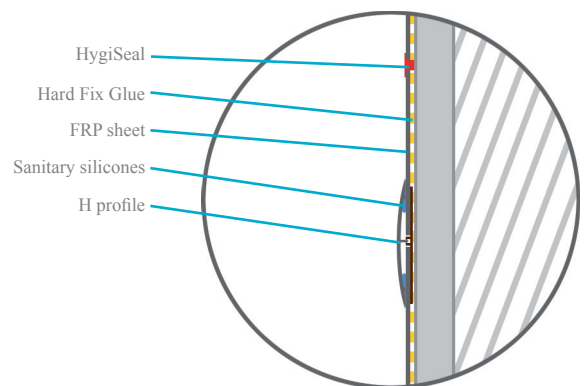
### APPLICATIONS

Hygienic protection for smooth or slightly damaged walls: food processing plants, bakeries, meat processing industry and butcheries, restaurants and mass caterings, fish companies and stores, milk and cheese industrie, slaughter houses for cattle and poultry, egg processing companies, clean rooms, cold rooms, hotels, hospitals, public buildings (schools, kitchens, toilets, ...), transportation (bus stations, subway, train stations, airports, ...), health clubs and amusement parks, sports and training facilities (changing rooms and showers), commercial buildings (shopping centers, ...), fuel stations, car and truck wash, garages, chemical and petrochemical industry, hygienic locks, laboratories, beer and beverage industry, ...



### TECHNICAL INFORMATION

<b>Dimensions:</b>	2,5 m x 1,2 m 2,75 m x 1,2 m 3 m x 1,2 m custom made size
<b>Weight/ m2:</b>	± 3 kg
<b>Polyester thickness:</b>	1,5, 2 or 2,3 mm
<b>Finishing of surface:</b>	Smooth or embossed
<b>Standard colour:</b>	White RAL 9010 (other colours on demand)
<b>Standard fire class:</b>	Euroclass E
<b>Fire retardant (optional):</b>	Euroclass C-s3,d0 Euroclass B-s3,d0
<b>Max. temperature:</b>	60°C



### ACCESSORIES

- Start/end profile
- Nylon plug
- Sanitary silicones
- Hard Fix Glue
- Plinths and kerbs
- Corner roundings
- U profile
- H profile
- L profile
- HygiSeal
- ...

### CONSUMPTION

- Hard Fix Glue / m2	600 ml
- White silicone / m2	150 ml

